



Gamma Series

Freestanding Outdoor & Indoor Showers
(for models: 509, 511, 515)

Installation & Care Manual
Europe / International

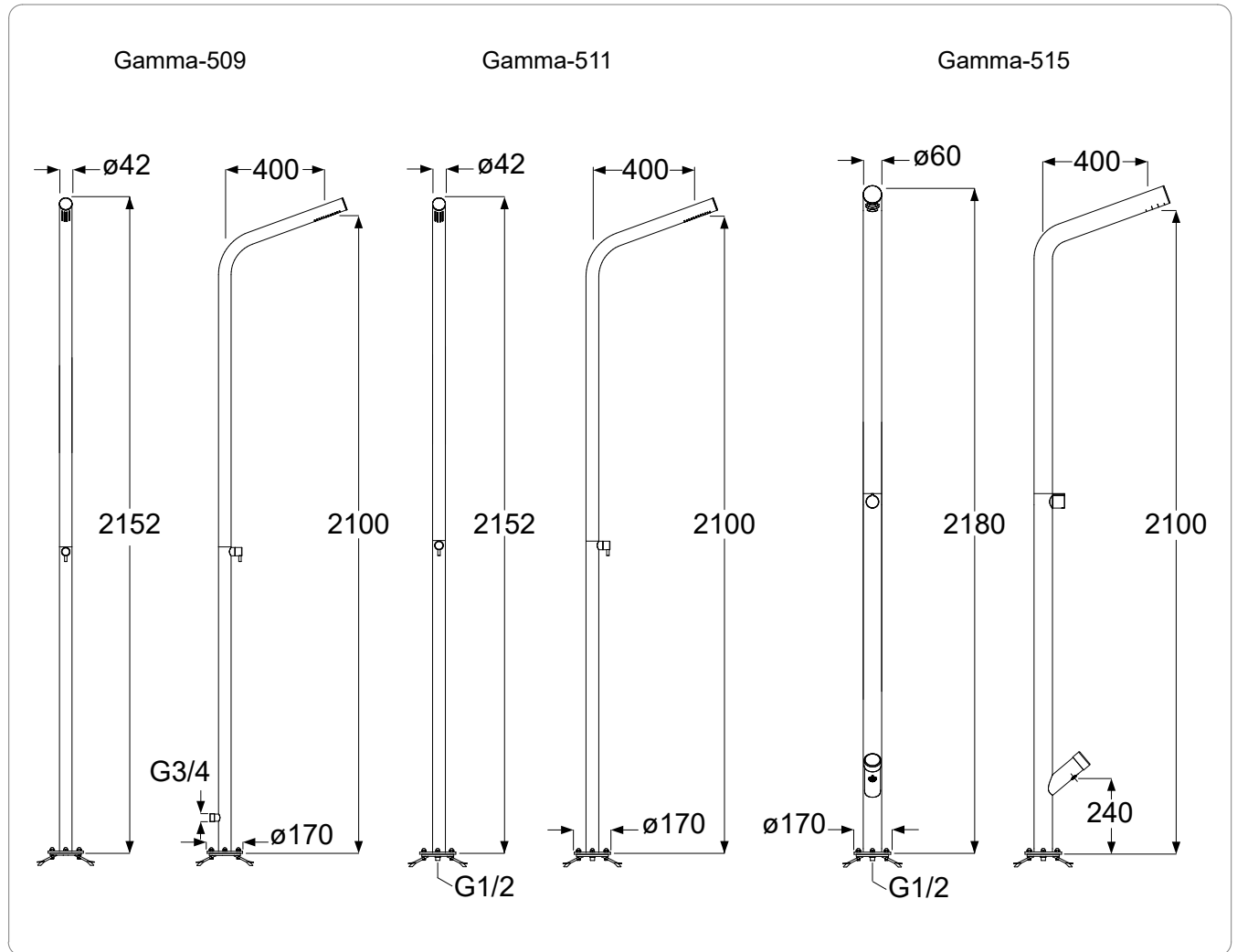
Gamma Series

Freestanding Outdoor & Indoor Showers

(for models: 509, 511, 515)

PARTS LIST

 MEASUREMENTS: mm

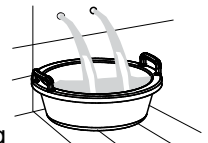


SPECIFICATIONS

Recommended operational pressure	1-5 bar
Maximum test pressure	16 bar
Maximum hot water temperature	70 °C
Recommended temperature	50-60 °C
Pressure difference between hot and cold water	max. 1,5 bar

IMPORTANT NOTE

- Installation to be performed by qualified personnel
- Before connecting to mains, bleed the pipes to avoid damage.



Gamma Series

Freestanding Outdoor & Indoor Showers (for models: 509, 511, 515)

INSTALLATION SEQUENCE

1

Place the base (A) in order to align the mixer to the final position (fig. B)

2

NOT UNSCREW

Tile

MAX

Cement

min 100

G1/2

Mixed Water Inlet	
Gamma-511	Gamma-515

Mixed Water Inlet

Gamma-509

G3/4

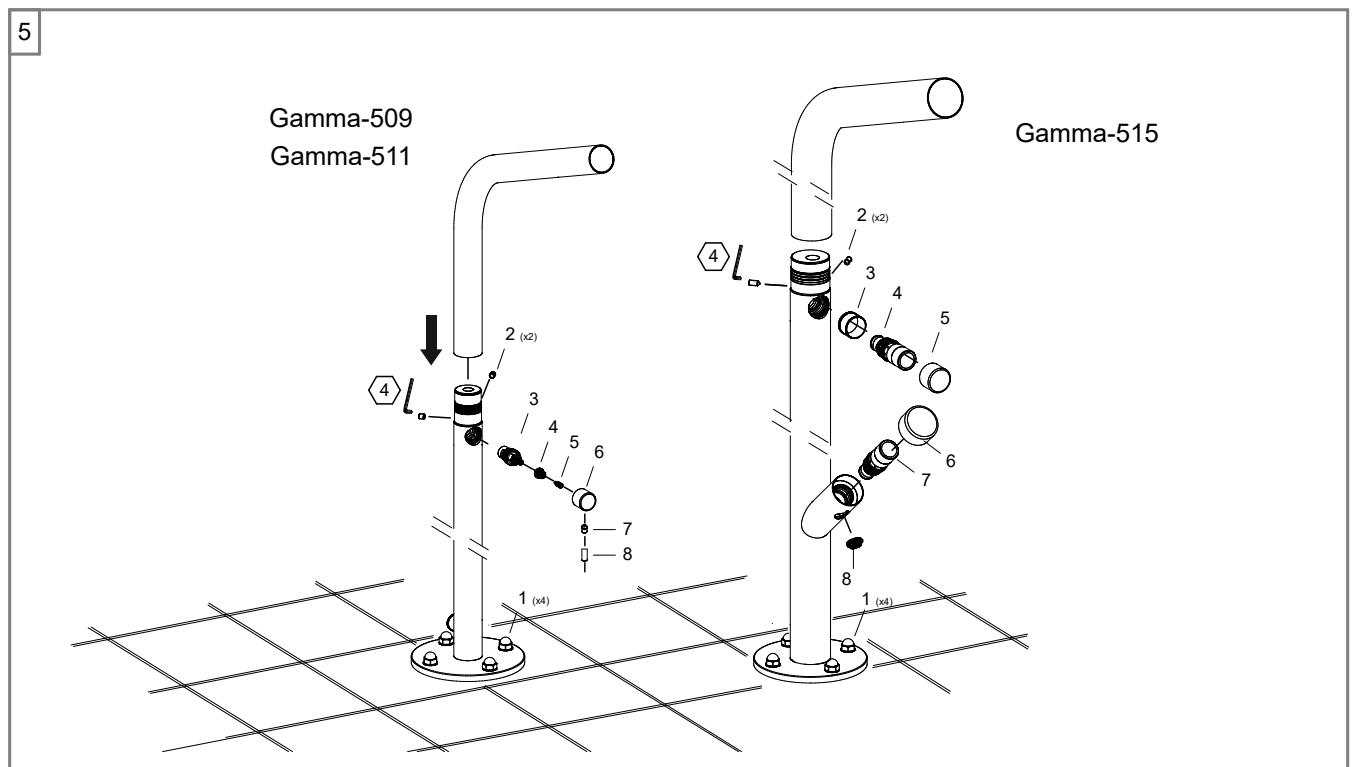
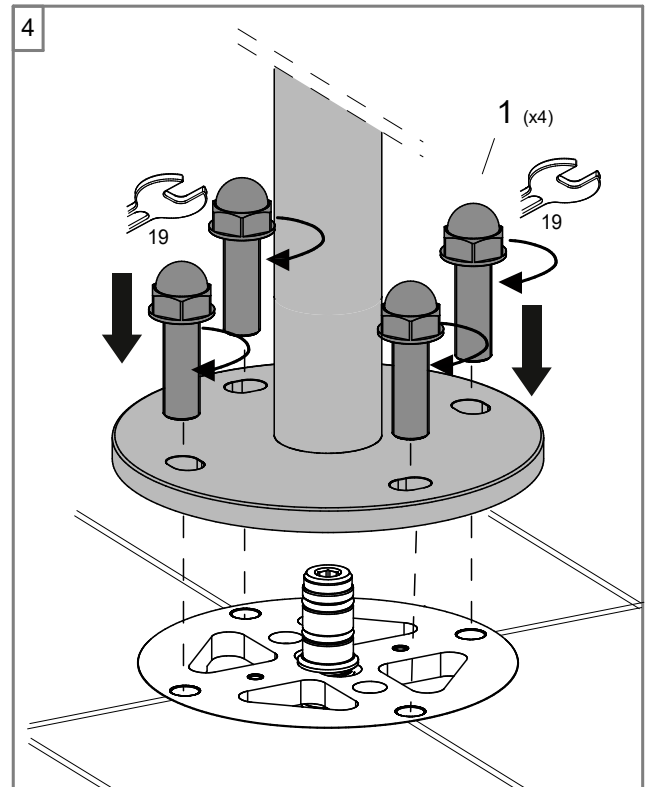
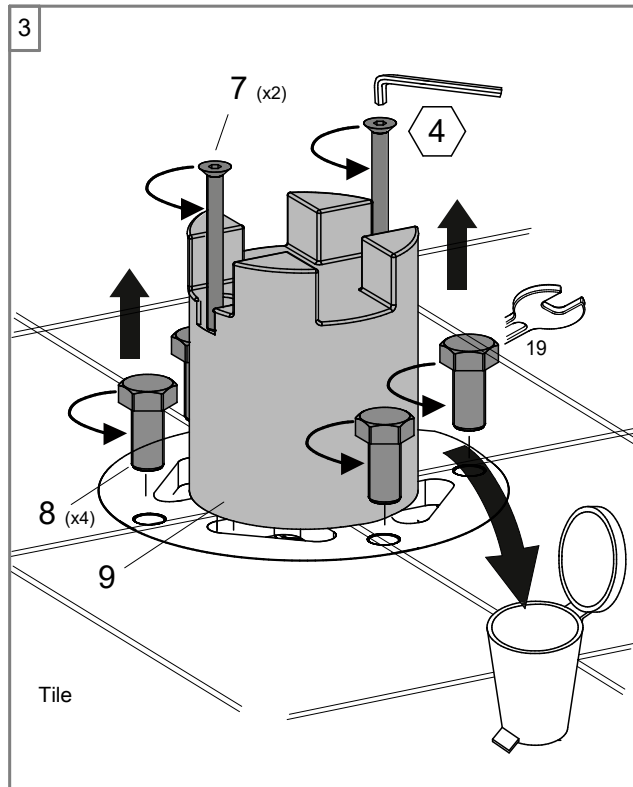
Ensure that there are the white caps.

Gamma Series

Freestanding Outdoor & Indoor Showers

(for models: 509, 511, 515)

INSTALLATION SEQUENCE



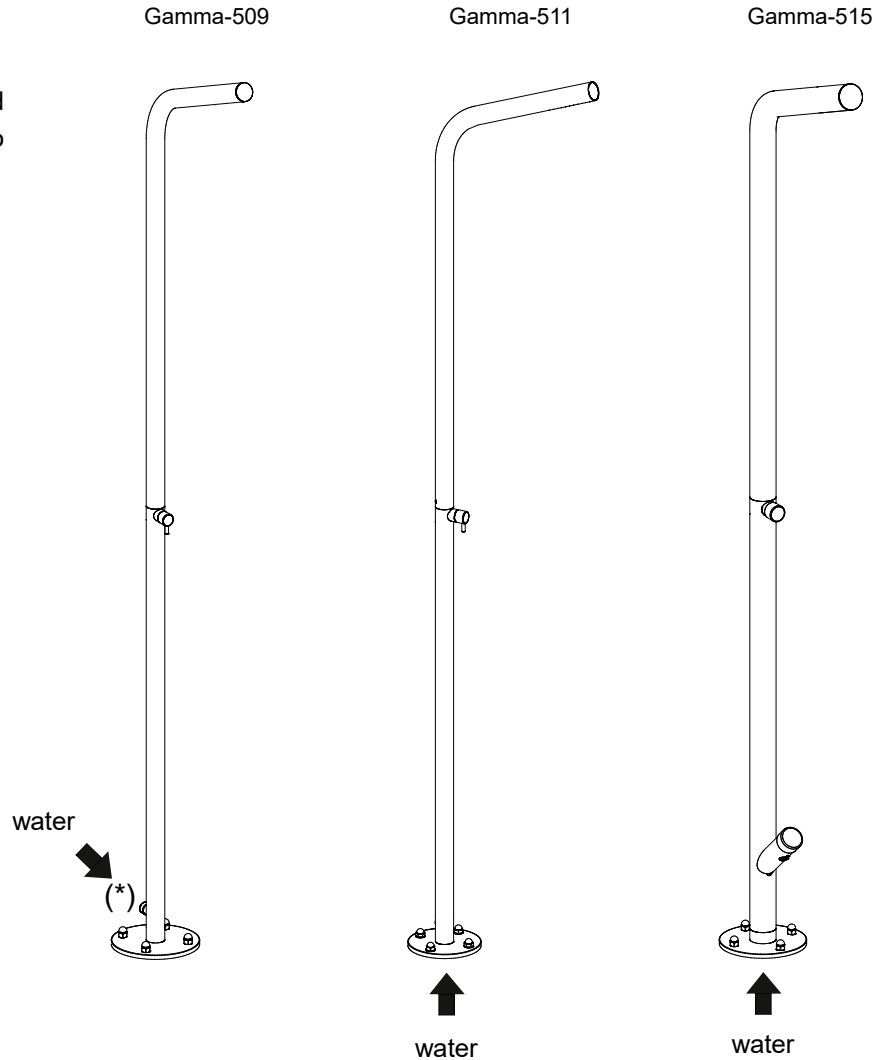
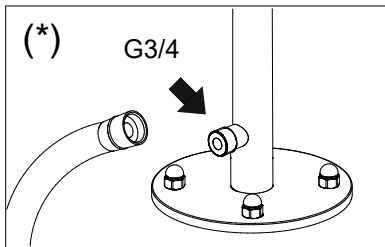
Gamma Series

Freestanding Outdoor & Indoor Showers

(for models: 509, 511, 515)

INSTALLATION SEQUENCE

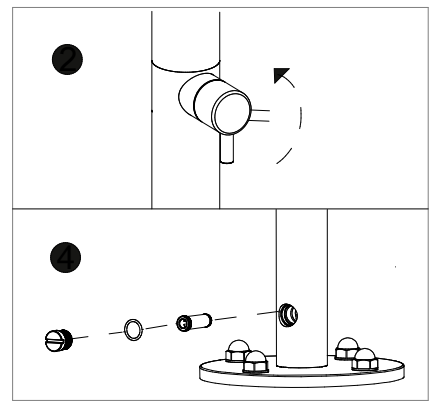
Use liquid or soap-based products to clean surfaces. Do not use acid products or rough cloths under any circumstances. Surfaces should only be cleaned with a soft cloth and water or with delicate cleaning products. Do not use abrasives, acids, alcohol or anti-limestone products. The use of inadequate cleaning products can damage surfaces. Such damage is not covered by warranty.



CAUTION

In winter it is recommended to close the system and empty the excess water following the procedure below :

1. Close the system
2. Open the control handle
3. Unscrew the plugs at the base
4. To reactivate proceed in reverse order



aquatica®

Function : Form : Fashion



aquatica[®]

Function, Form & Fashion

